



SN-IPV8060ECAR-B

6MP Fisheye Network Camera



Key Features

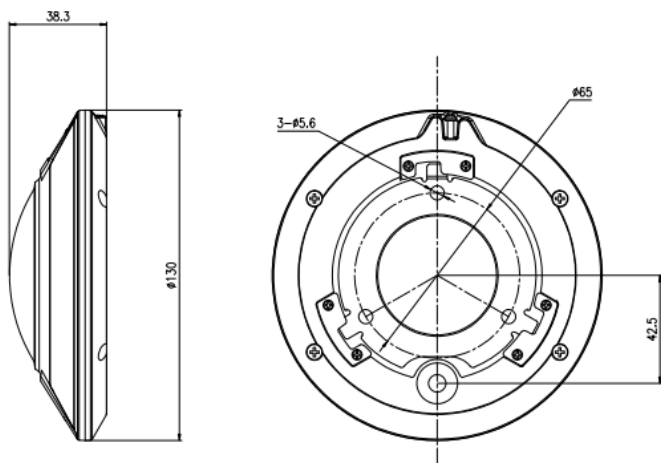
- 1/2.8" progressive scan CMOS
- 25/30fps @ 6MP(2560×2560)
- Multi Dewarping modes and front end image correction
- Support human and vehicle detection
- Intelligent analysis: intrusion, single line crossing, double line crossing, loitering, wrong-way, people counting, smart motion detection and heat map
- True WDR, 3D DNR, ROI, Defog, HLC
- Built-in microphone
- Smart IR distance up to 15 m
- IP66

Specification

| Camera | |
|--------------------------|---|
| Image Sensor | 1/2.8" Progressive Scan CMOS |
| Max. Resolution | 2560(H) × 2560(V) |
| Electronic Shutter | Auto/Manual, 1/5 to 1/20,000s |
| Min. illumination | Color: 0.01 Lux @ (F2.0, AGC ON) , B/W: 0 Lux with IR |
| Day & Night | Auto (ICR) |
| IR Distance | Up to 15 m (49.2 ft.) |
| IR On/Off Control | Auto/ Manual |
| Lens | |
| Lens Type | Fixed Lens |
| Iris | Fixed Iris |
| Focal Length | 1.5 mm |
| F Number | F2.0 |
| Angle of View | 180° × 180° |
| Video | |
| Streaming Capability | 2 Streams |
| Main Stream | One-Channel: Fisheye View: 2560×2560, 2048×2048, 1280×1280, 1280×960 @25/30fps 180 Panorama View: 2560×640, 1920×480, 1280×960 @25/30fps 360 Panorama View: 2560×1280, 1920×960, 1280×960 @25/30fps 4PTZ View: 2048×1536, 1920×1440, 1280×960 @25/30fps Fisheye + 3PTZ View: 2048×1536, 1920×1440, 1280×960 @25/30fps Multi-Channel: 1520×1520, 960×960, 720×720, 640×640 @25/25fps |
| Sub Stream | One-Channel: Fisheye View: D1, 640×640, 480×480 @25/30fps 180 Panorama View: 832×208, D1 @25/30fps 360 Panorama View: 640×320, D1 @25/30fps 4PTZ View: 640×480, D1, 320×240 @25/30fps Fisheye + 3PTZ View: 640×480, D1, 320×240 @25/30fps Multi-Channel: 640×640 @25/30fps |
| Bit Rate Control | CBR/VBR |
| Bit Rate | One-Channel: Stream1: 500Kbps to 12Mbps Stream2: 200Kbps to 8Mbps Multi-Channel: Stream1: 100Kbps to 12Mbps Stream2: 100Kbps to 6Mbps |
| Smart Encoder | Support |
| Region of Interest (ROI) | Support (Single-channel and fisheye mode) |
| Image | |
| Image Adjustment | Brightness, Sharpness, Contrast, Saturation adjustable |
| Mirror | Support |
| White Balance | Auto/Manual |
| Day/Night Setting | Auto, Day, Night, Time |
| Smart IR | Support |
| Noise Reduction | 2D/3D DNR |
| Image Enhancement | HLC, BLC, Defog |
| Wide Dynamic Range | True WDR |

| | |
|------------------------|--|
| S/N Ratio | 55dB |
| Motion Detection | Support |
| Privacy Masking | Support (Single-channel and fisheye mode) |
| Audio | |
| Compression | G.711A, G711U, RAW_PCM |
| Bit Rate | 16Kbps |
| Smart Function | |
| Multi-Object Detection | Supports human and vehicle detection |
| Intelligent Analysis | Intrusion, Single line crossing, Double line crossing, Loitering, Wrong-way, Smart motion detection. (Support available only in single-channel mode) Support alarm triggering by specified target types (human and vehicle). |
| People Counting | Support |
| Heat Map | Support |
| Fisheye Display | |
| Mount Type | Ceiling Mount, Wall Mount, Table Mount |
| Decoding Mode | On-board Dewarping/Client-side Dewarping |
| Display Mode | 12 display modes in total Client-side Dewarping: fisheye view, fisheye view + 3PTZ, fisheye view + 8PTZ, 4PTZ, cylinder, 180 panorama view, 360 panorama view, 360 panorama + PTZ, 360 panorama + 3PTZ, 360 panorama + 6PTZ, 360 panorama + 8PTZ, half sphere On-board Dewarping: Fisheye view, 360 panorama view, 4PTZ, 180 panorama view, fisheye + 3PTZ |
| Network | |
| Protocols | IPv4/IPv6, TCP/IP, HTTP, HTTPS, UPnP, UDP/IP, RTSP/RTCP/RTP, IGMP/Multicast, SMTP, DHCP, NTP, DNS, QoS, SNMP, 802.1x, UDP, ICMP, ARP, TLS |
| Interoperability | ONVIF, SDK |
| Streaming Method | Multicast |
| Max. User Access | 10 Users |
| Web Viewer | <IE11, Chrome, Firefox |
| Language | English, Chinese, Polish, Italian, Portuguese, Spanish, Russian, French, Czech, Hungarian. Default: English |
| Interface | |
| Network Interface | 1 Ethernet (10/100 Base-T) RJ-45 Connector |
| Built-in Microphone | Support |
| Audio Interface | 1ch Input, 1ch Output |
| Alarm Interface | 1ch Input, 1ch Output |
| Reset Button | Support |
| SD Card Slot | Built-in, up to 1TB |
| Electrical | |
| Power Supply | DC12V (-15% to +20%)/PoE (IEEE 802.3af) |
| Power Consumption | Max 9 W |
| Operating Temperature | -30°C to 60°C (-22°F to 140°F) |
| Operating Humidity | Less than 90% RH |
| Ingress Protection | IP66 |
| Certifications | CE/FCC |
| Casing | Metal |
| Dimensions | Φ130 × 38.3 mm (Φ5.12" × 1.51") |
| Net Weight | 0.5 kg (1.10 lb.) |

Dimensions (mm)



Accessories

Optional:



SN-CBK645E
Junction Box



SN-CBK201A
Pendant Cap



SN-CBK402
Pendant Mount



SN-CBK501
Wall Mount



SN-CBK502
Wall Mount



SN-CBK101
Pole Mount



SN-CBK102
Corner Mount

©2023 Sunell all rights reserved. Design and specifications are subject to change without notice.