

3-inch Network PTZ Camera Quick Setup Guide

NO:101-500-0325-01
Issue:1.0

Precautions

Fully understand this document before using this device, and strictly observe rules in this document when using this device. If you install this device in public places, provide the tip "You have entered the area of electronic surveillance" in an eye-catching place. Failure to correctly use electrical products may cause fire and severe injuries.

| | |
|----------------|--|
| WARNING | It alerts you to moderate dangers which, if not avoided, may cause minor or moderate injuries. |
| CAUTION | It alerts you to risks. Neglect of these risks may cause device damage, data loss, device performance deterioration, or unpredictable results. |
| NOTE | It provides additional information. |

WARNING

- Strictly observe installation requirements when installing the device. The manufacturer shall not be held responsible for device damage caused by users' non-conformance to these requirements.
- Strictly conform to local electrical safety standards and use power adapters that are marked with the LPS standard when installing and using this device. Otherwise, this device may be damaged.
- Use accessories delivered with this device. The voltage must meet input voltage requirements for this device.
- If this device is installed in places with unsteady voltage, ground this device to discharge high energy such as electrical surges in order to prevent the power supply from burning out.
- When this device is in use, ensure that no water or any liquid flows into the device. If water or liquid unexpectedly flows into the device, immediately power off the device and disconnect all cables (such as power cables and network cables) from this device.
- Do not focus strong light (such as lighted bulbs or sunlight) on

this device. Otherwise, the service life of the image sensor may be shortened.

- If this device is installed in places where thunder and lightning frequently occur, ground the device nearby to discharge high energy such as thunder strikes in order to prevent device damage.

CAUTION

- Avoid heavy loads, intensive shakes, and soaking to prevent damages during transportation and storage. The warranty does not cover any device damage that is caused during secondary packaging and transportation after the original packaging is taken apart.
- Protect this device from fall-down and intensive strikes, keep the device away from magnetic field interference, and do not install the device in places with shaking surfaces or under shocks.
- Clean the device with a soft dry cloth. For stubborn dirt, dip the cloth into slight neutral cleanser, gently wipe the dirt with the cloth, and then dry the device.
- Do not jam the ventilation opening. Follow the installation instructions provided in this document when installing the device.
- Keep the device away from heat sources such as radiators, electric heaters, or other heat equipment.
- Keep the device away from moist, dusty, extremely hot or cold places, or places with strong electric radiation.
- If the device is installed outdoors, take insect- and moisture-proof measures to avoid circuit board corrosion that can affect monitoring.
- Remove the power plug if the device is idle for a long time.
- Keep the device ventilation to avoid overheating.
- Do not install the device in extremely hot, cold, dusty, high salinity, high humidity, or corrosive environments; Forbid disassembling the device in these environments.
- If the equipment is disassembled for a long time, or the device is not installed properly after debugging, it will affect the sealing, cause the equipment to fog up and not work properly.

Special Announcement

- All complete products sold by the manufacturer are delivered along with nameplates, quick setup guide and accessories after strict inspection. The manufacturer shall not be held responsible for counterfeit products.
- The manufacturer will update this manual according to product function enhancement or changes and regularly update the software and hardware described in this manual. Update information will be added to new versions of this manual without prior notice.
- This manual may contain misprints, technology information that is not accurate enough, or product function and operation description that is slightly inconsistent with the actual product, the final interpretation of company is as a standard.
- This manual is only for reference and does not ensure that the information is totally consistent with the actual product. For consistency, see the actual product.

NOTE

For more information, please refer to our website.

1 Packing List

Open the package, check the appearance of product for no obvious damage, and confirm whether the items are consistent with the list.

Table 1-1 Packing list

| Component | Quantit | Remark |
|--------------------------------|---------|--------|
| network camera | 1 | |
| Quick setup guide | 1 | |
| installation board | 1 | |
| L hexagonal wrench | 1 | |
| Installation location sticker | 1 | |
| Stainless self-tapping screw | 4 | |
| Plastic anchor | 4 | |
| Ethernet Port Waterproof Cover | 1 | |
| Power Adapter | 1 | |

2 Device Structure

2.1 Device Ports

NOTE

Different devices may have different device ports; Please refer to the actual product.

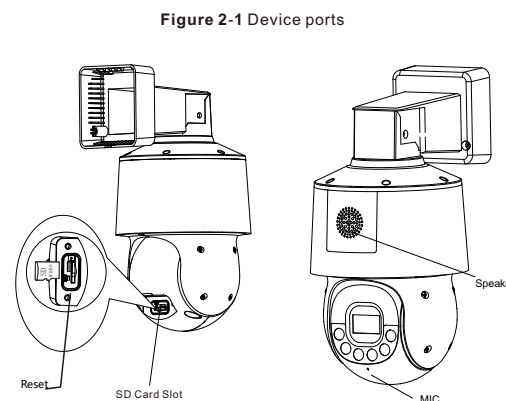


Table 2-1 Interface of camera

| Port name | Description | Remark |
|--------------|---|--------|
| SD card slot | Insert SD card. | |
| Reset button | Long press the reset button for 5 seconds to restore the original settings. | |

NOTE

Different devices may have different device ports; Please refer to the actual product.

Figure 2-2 Multi-head cable

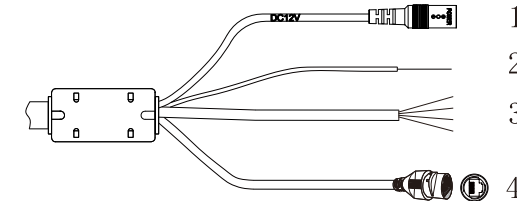


Table 2-2 Multi-head cable description

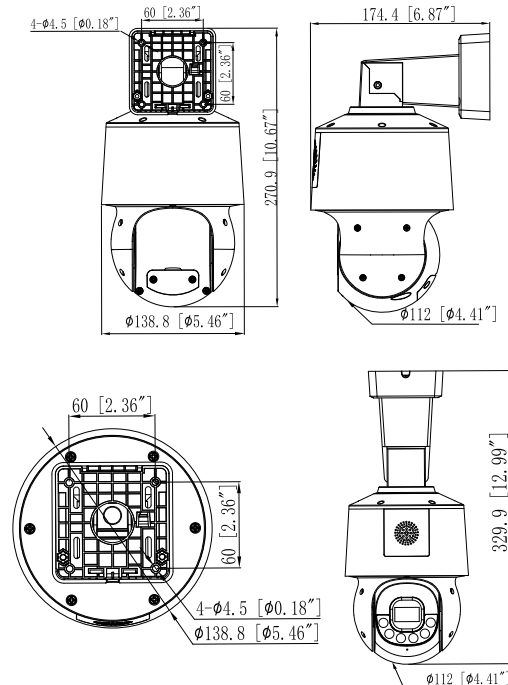
| ID | Core | Description | Remark |
|----|-------------------|--|-----------------------|
| 1 | Power supply | Connect to a 12V(-15% - +25%) direct current(DC)power supply | Support PoE+(802.3AT) |
| 2 | Yellow Green | EARTH | |
| | Purple | ALARM_IN1 | |
| | Grey | ALARM_IN_COM | |
| | White | ALARM_OUT1 | |
| 3 | Black | ALARM_OUT1_COM | |
| | Network interface | Connect to a standard Ethernet cable | |

2.2 Camera Dimensions

NOTE

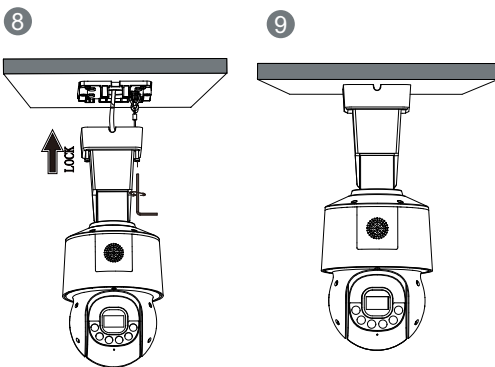
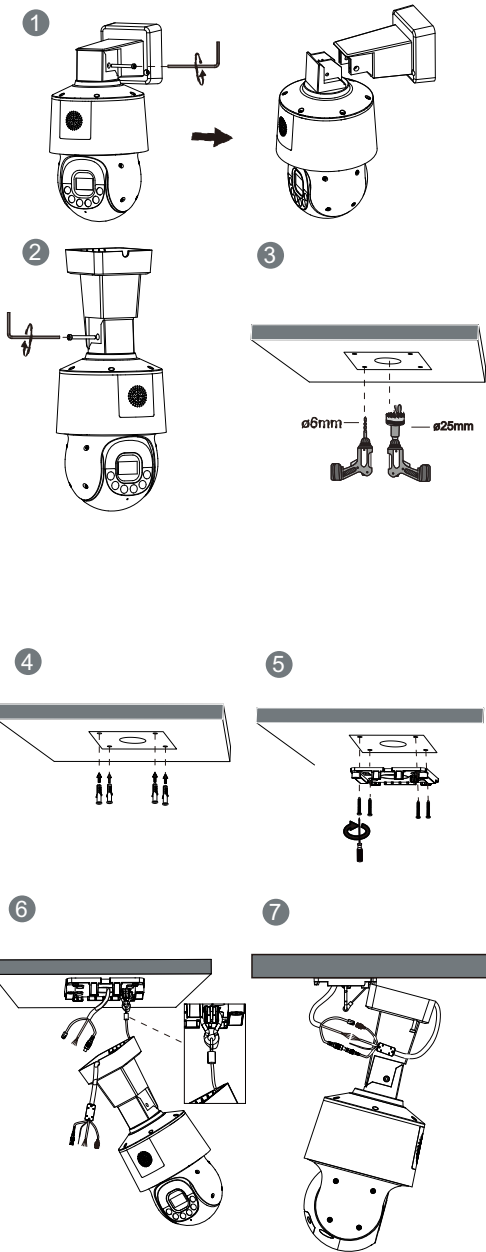
Different devices may have different dimensions; Please refer to the actual product.

Figure 2-5 Dimensions of Dome(Unit:mm)



3 Device Installation

The PTZ camera can be installed in the wall bracket or ceiling bracket. This section describes how to install the camera in the ceiling.



4 Quick Configuration(e.g Edge)

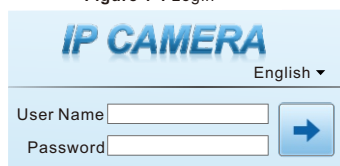
4.1 Login

Step 1 Open the **Microsoft Edge** browser, enter the IP address of IP camera (default value: 192.168.0.120) in the box, and press **Enter**. The login page is displayed as shown in figure 4-1 .
Step 2 Input the user name and password.

NOTE

- The default user name is admin. The default password is admin. Change the password when you log in the system for first time to ensure system security.
- It is advised to restart the device three minutes later after modifying the password
- You can change the system's display language on the login page.
- We support Google Chrome, Firefox, Edge and other main browsers to play live video and configure parameters.

Figure 4-1 Login



Step3 Click **Login** icon, the main page is displayed.

4.2 Modify IP Address

Choose **Configuration > Device > Local Network**, the **Local Network** page is displayed.
Input the IP address in the IP Address box and click **Apply** as shown in figure 4-2.
After the IP address is set successfully, please use the new IP address to login the Web interface.

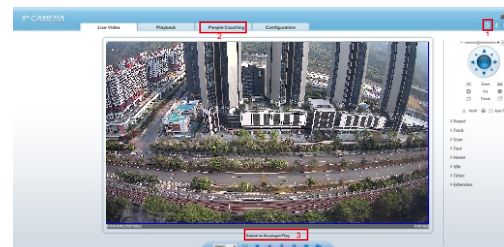
Figure 4-2 Local network



4.3 Browsing Video

For H.264 video, it can be played directly; If you want to play H.265 video smoothly, the IPC local server should be downloaded in advanced. You can click icon to download, and install it following the steps, then you can play the H.265 video. Click "Switch to No plugin Play" to switch mode.

Figure 4-3 Download IPC local server



1 Download IPC local server: Click the icon to download the software, and install it following the tips. Refresh the Web to play the live video by using plugin. You can view the H.265 type video.

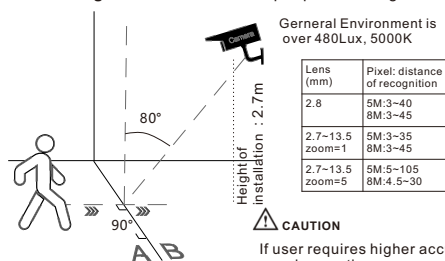
2 People Counting: Users can query the data of people counting, through year, month, day. The statistics can be downloaded. The data can be shown by line chart, histogram, list.

3 Switch to No plugin play: Install the IPC local server, users can choose plugin or No plugin to play the live video.



***PTZ interface is only for some models, not for all models. The above figures are only for example, please refer to actual product.**
***The function of bellow the introduce are not supported for all IP camera, please refer to actual product.**

Figure 4-4 Installation of people counting



CAUTION

If user requires higher accuracy of people counting, we recommend the users to install camera and draw the line following as figure 4-5.

4.4 Two-way Audio

NOTE

Partial cameras do not support two-way audio, this section does not apply.

4.4.1 Camera ↔ PC

Connection:
Step 1 Connect microphone to audio input interface of camera.
Step 2 Connect speaker to the PC audio output interface.
Step 3 Log in camera Web, click to turn on two-way audio.

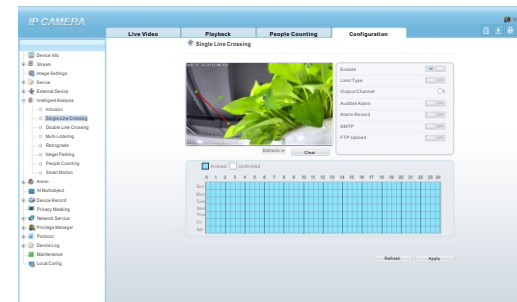
4.4.2 PC ↔ Camera

Step 1 Connect microphone to PC audio input interface.
Step 2 Connect speaker to camera audio out interface.
Step 3 Log in camera Web, click to turn on two-way audio.

4.5 Intelligent Analysis

At "Configuration > Intelligent Analysis" interface, users can set the parameters of Intrusion, Single Line Crossing, Double Line Crossing, Multi-Loitering, Retrograde, Illegal Parking, People Counting and Smart Motion, as shown in figure 4-5 .

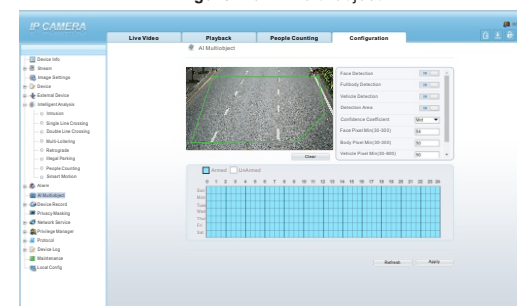
Figure 4-5 Intelligent analysis



4.6 AI Multi Object

At "Configuration > AI Multi object" interface, users can enable face detection / full body detection / vehicle detection / detection area, set face pixel min / body pixel min / vehicle pixel min as shown in figure 4-6.

Figure 4-6 AI Multi-object



NOTE

For better detection performance, it is recommended to use 6mm focus length lens or above.