



SN-IPS8654ZDC-Z5

3-inch 5MP Active Deterrence Network PTZ Camera



Key Features

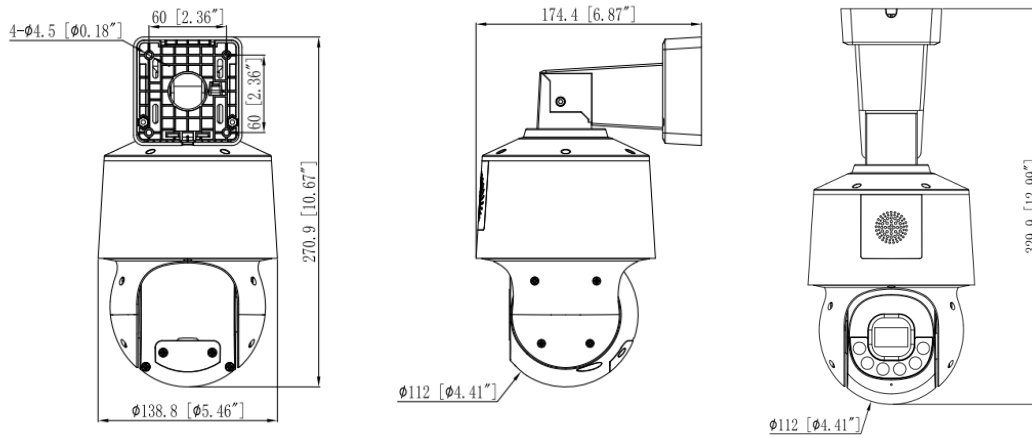
- 1/2.7" progressive scan CMOS
- 5x optical zoom, 16x digital zoom
- Support face, human and vehicle detection and capture
- Support smoke and fire detection as well as smart motion detection
- Auto tracking and perimeter protection based on deep learning
- Intelligent analysis: intrusion, single line crossing, double line crossing, loitering, wrong-way, illegal parking and people counting
- True WDR, 3D DNR, ICR, Defog, Anti-shake
- Built-in Microphone and Speaker
- Built-in red and blue warning light, support sound-light warning
- Smart dual illuminator, up to 50 m IR and 30 m warm light distance
- Built-in SD card slot, up to 256GB
- IP66

Specification

Camera	
Image Sensor	1/2.7" Progressive Scan CMOS
Max. Resolution	2880(H)×1620(V)
Electronic Shutter	Auto/Manual, 1/5 to 1/20,000s
Min. illumination	Color: 0.01 Lux @ (F1.6, AGC ON), B/W: 0.001 Lux @ (F1.6, AGC ON), 0 Lux with light
Day & Night	IR cut filter
Illumination Distance	IR distance up to 50 m (164.0 ft.) Warm lights distance up to 30 m (98.4 ft.)
Illuminator On/Off Control	Auto/Manual
Lens	
Focal Length	2.7 to 13.5mm
Max. Aperture	F1.66 to F3.03
Angle of View	H: 111.5° to 32.3°, V: 57.5° to 17.9°
Optical Zoom	5x
Digital Zoom	16x
Focus Control	Auto/Manual/Semi-automatic
PTZ	
Pan/Tilt Range	Pan: 0° to 355° endless, Tilt: -20° to +90°
Pan Speed	Pan speed: 0.1° to 60°/s, preset speed: 60°/s
Tilt Speed	Tilt speed: 0.1° to 50°/s, preset speed: 50°/s
Presets	400
Patrol Scan	6 Track, 12 Scan, 12 Patrol (up to 32 presets per patrol)
Power-Off Memory	Support
3D Positioning	Support
PTZ Status Display	Support
Idle Motion	The time can be set (1-240 minutes), and functions such as preset positions, patrols, scans, and tracks can be run.
Video	
Streaming Capability	3 Streams
Stream/Frame Rate	Stream1: 2880×1620, 2560×1440, 2304×1296, 1920×1080, 1280×720 @ 25/30fps Stream2: D1, VGA, 640×360, CIF, QVGA @ 25/30fps Stream3: VGA, CIF, QVGA @ 25/30fps
Bit Rate Control	CBR/VBR
Bit Rate	Stream1: 200kbps to 12Mbps Stream2: 100kbps to 6Mbps Stream3: 100kbps to 3Mbps
Smart Encoder	Support
Region of Interest (ROI)	Support
Image	
Image Adjustment	Brightness, Sharpness, Contrast, Saturation
Mirror	Support
Exposure Mode	Auto/Manual
White Balance	Auto/Manual
Day/Night Setting	Auto, Day, Night, Time

Noise Reduction	2D/3D DNR
Image Enhancement	HLC, BLC, Defog, Anti-shake
Wide Dynamic Range	True WDR
S/N Ratio	55dB
Motion Detection	Support
Privacy Masking	Support 40 zones, mask color configurable
Audio	
Compression	G.711: 8kbps, RAW_PCM: 16kbps
Sound Warning	Sound warning alarm: Customizable voice and alarm sounds
Smart Function	
Multi-Object Detection	Support face, human, vehicle detection and capture
Intelligent Analysis	Intrusion, Single line crossing, Double line crossing, Loitering, Wrong-way, Illegal parking, (support the accurate detection of vehicle and human)
Smoke and Fire Detection	Support
People Counting	Support
Smart Motion Detection	Support
Smart Tracking	Support
Network	
Protocols	IPv4, IPv6, TCP/IP, HTTP, HTTPS, RTSP/RTP/RTCP, IGMP/Multicast, SMTP, DHCP, NTP, DNS, DDNS,, QoS, SNMP, 802.1X, UDP, ICMP, ARP, TLS
Interoperability	ONVIF, SDK, CGI
Streaming Method	Multicast
Max. User Access	10 Users
Web Viewer	<IE11, Chrome, Firefox, Microsoft Edge
Language	English, Chinese, Polish, Italian, Portuguese, Spanish, Russian, French, Czech, Hungarian. Default: English
Interface	
Network Interface	1 Ethernet (10/100 Base-T) RJ-45 Connector
Built-in Microphone	Support
Built-in Speaker	Support, Max sound transmission distance of 60 m (196.85 ft.) (45-48 dB)
Audio Interface	1ch Input, 1ch Output
SD Card Slot	Built-in, up to 256GB
Reset Button	Support
Electrical	
Power Supply	DC12V/POE+ (IEEE 802.3at)
Power Consumption	Less than 19.5 W (illuminator + red and blue warning light + speaker + PTZ working + glass defogging)
Operating Temperature	-30°C to 60°C (-22°F to 140 °F)
Operating Humidity	Less than 90% RH
Ingress Protection	IP66
Certifications	CE/FCC
Casing	Metal + Plastic
Dimensions	174.4 × 138.8 × 270.9 mm (6.87 × 5.46 × 10.67 inch) of wall mount
Net Weight	1.28 Kg (2.82 lb.)

Dimensions (mm)



Accessories

Optional:



SN-CBK101
Pole Mount



SN-CBK102
Corner Mount

©2023 Sunell all rights reserved. Design and specifications are subject to change without notice.